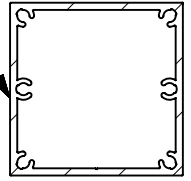
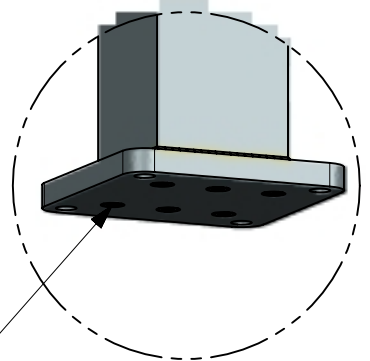
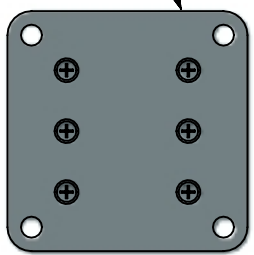


3" X 3" BOSS POST  
 .125 WALL



SECTION c-c

1/2" X 5" FLANGE  
 (6) SCREWS ARE ALIGNED  
 PARALLEL WITH THE GUARD RAIL

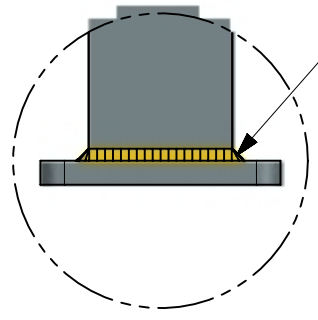


1/4" X 20 X 2"  
 18/8 TYPE F THREADING  
 SS SCREWS - 6 USED

DETAIL A  
 SCALE 1 : 4


CONTINUOUS WELD  
 WELDED ALL 4 SIDES  
 FULL LENGTH TO PLATE  
 WITH 3/64"  
 ER 5356 WIRE

3/8" 3/8" ± 1/16"



DETAIL B  
 SCALE 1 : 4



 <b>ULTRA</b> FENCING • RAILING	COMMERCIAL
	POST
DESCRIPTION	3" 6 HOLE BOSS POST
WELDED AND SCREWED BOSS POST	FLANGE
	5" COMMERCIAL FLANGE