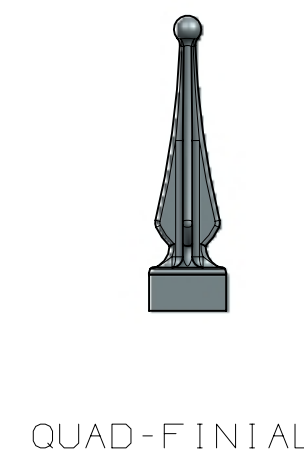
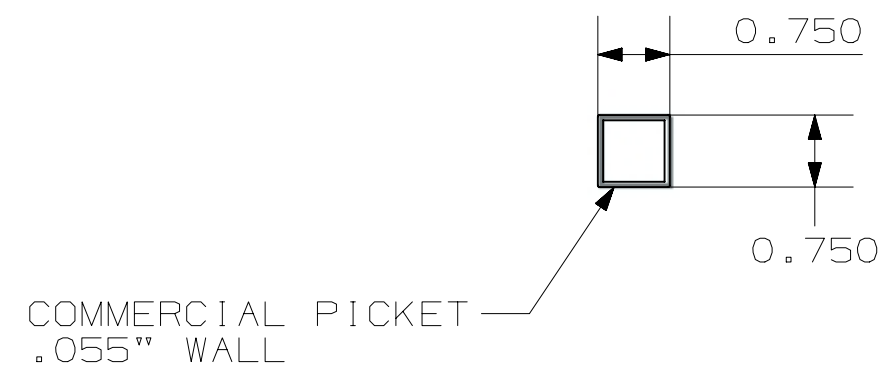
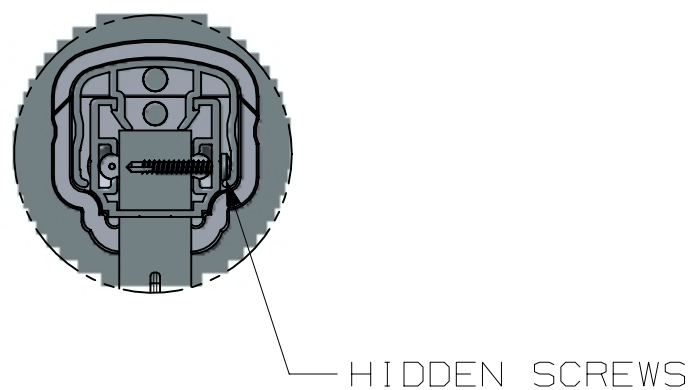
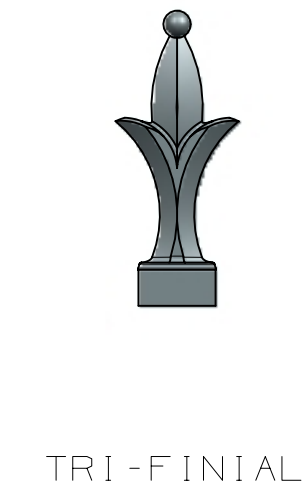
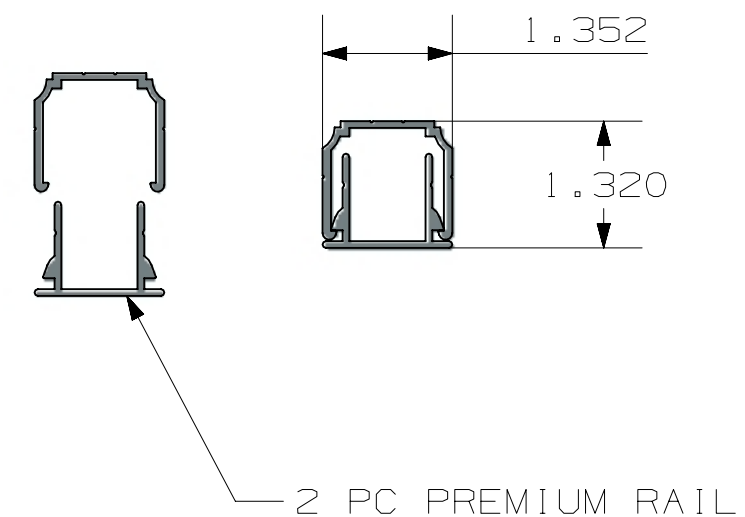
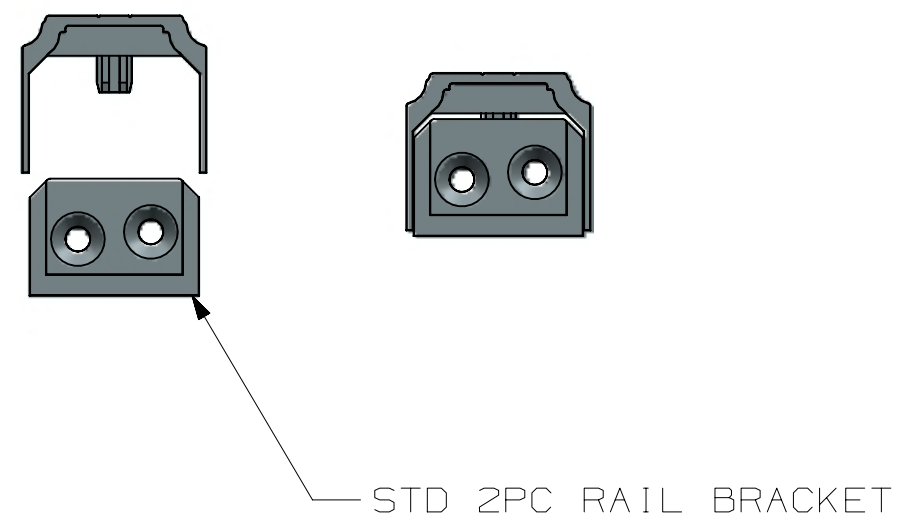
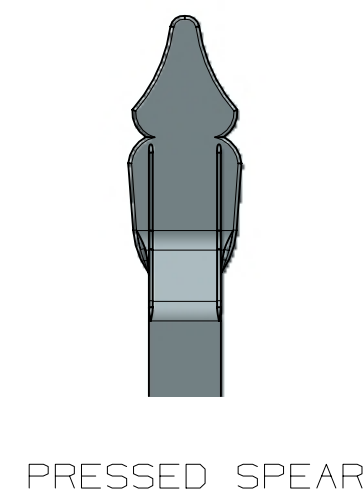
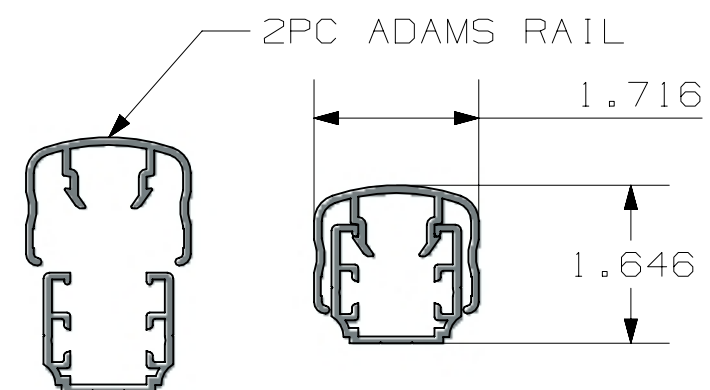
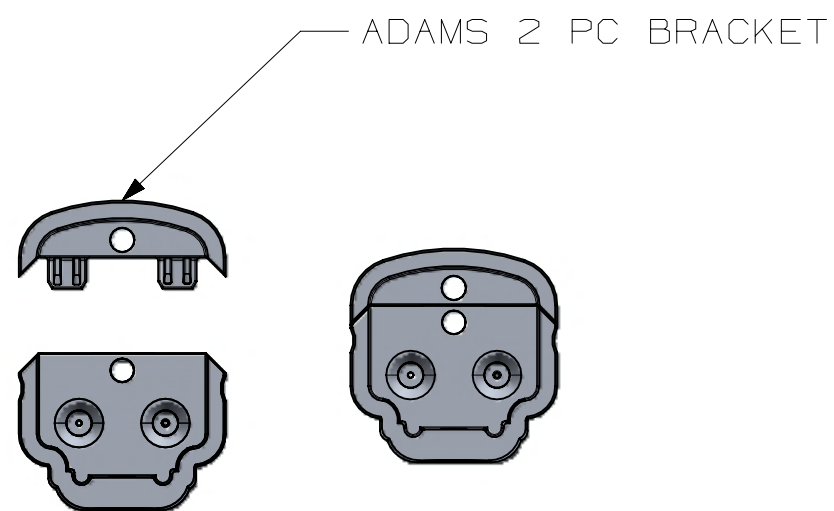
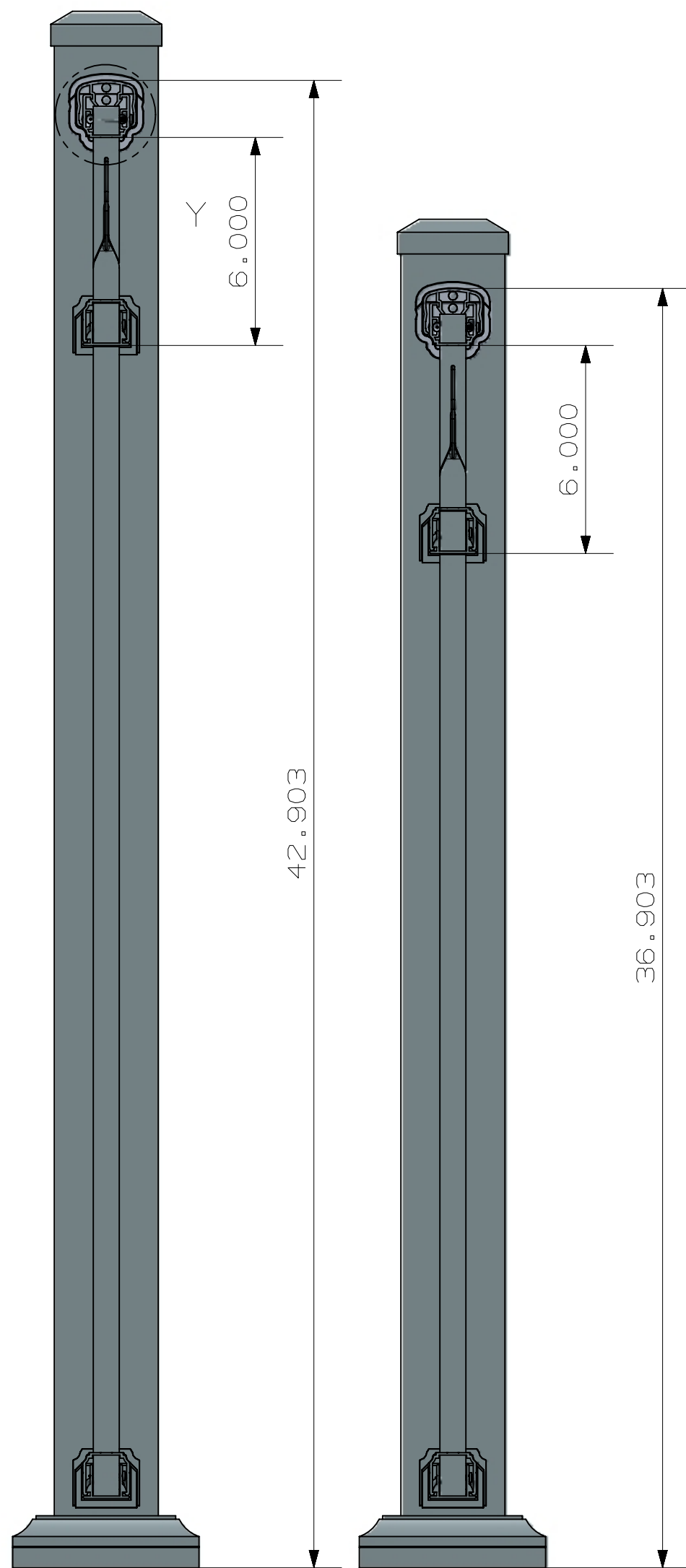
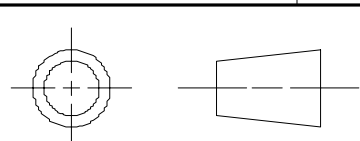


3D CAD MASTER PART NAME:

		ULTRA ALUMINUM MANUFACTURING, INC. 2124 GRAND COMMERCE DR. HOWELL, MI 48855 PHONE (800) 656-4420	
FIRST ISSUED		TITLE SIGNATURE RAILING	
DRAWN BY		ADAMS TOP RAIL	
CHECKED BY		UARX-A250XX-XXXX-3RLS	
APPROVED BY		PANEL AND HARDWARE	
		SIZE DRG NO.	REV
		C	UARX-A250XX-XXXX-3RLS
		SCALE 1:1	SHEET 1 OF 5



PANEL SIZE	RAIL LENGTH	FULL SIZE PICKET HEIGHT	NUMBER OF FULL SIZE PICKETS	NUMBER OF DECORATIVE PICKETS	SPEAR TOP PICKET LENGTH	TRI/QUAD PICKET LENGTH
36" X 4"	47 11/16"	34 1/16"	5	5	32 11/16"	28 15/16"
36" X 6"	70.00"	34 1/16"	7	8	32 11/16"	28 15/16"
36" X 8"	96 3/4"	34 1/16"	10	11	32 11/16"	28 15/16"
42" X 4"	47 11/16"	40 1/16"	5	5	38 11/16"	34 15/16"
42" X 6"	70"	40 1/16"	7	8	38 11/16"	34 15/16"
42" X 8"	96 3/4"	40 1/16"	10	11	38 11/16"	34 15/16"

3D CAD MASTER PART NAME:



ULTRA ALUMINUM MANUFACTURING, INC.  
2124 GRAND COMMERCE DR. HOWELL, MI 48855  
PHONE (800) 656-4420

FIRST ISSUED  
DRAWN BY  
CHECKED BY  
APPROVED BY

TITLE: SIGNATURE RAILING  
ADAMS TOP RAIL  
UARX-A250XX-XXXX-3RLS  
PANEL AND HARDWARE  
REV 2 1/23/2018

SIZE: DRG NO. C UARX-A250XX-XXXX-3RLS REV

SCALE 1:1 SHEET 3 OF 5