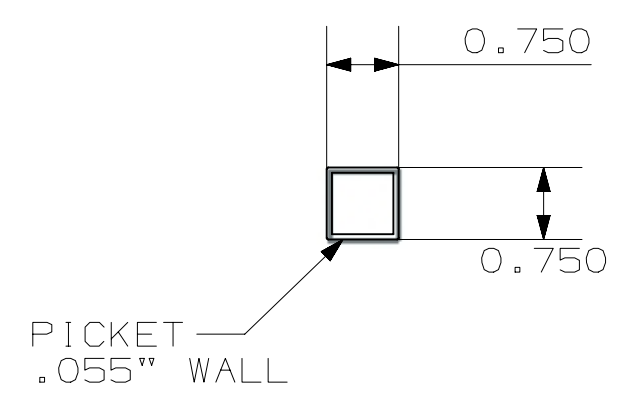
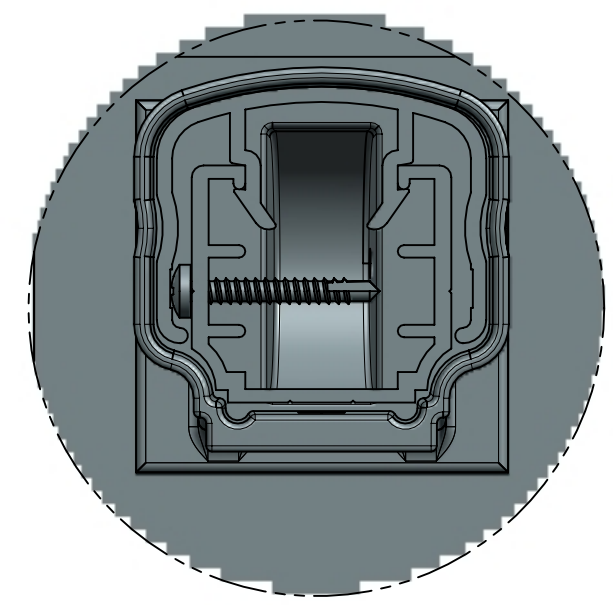
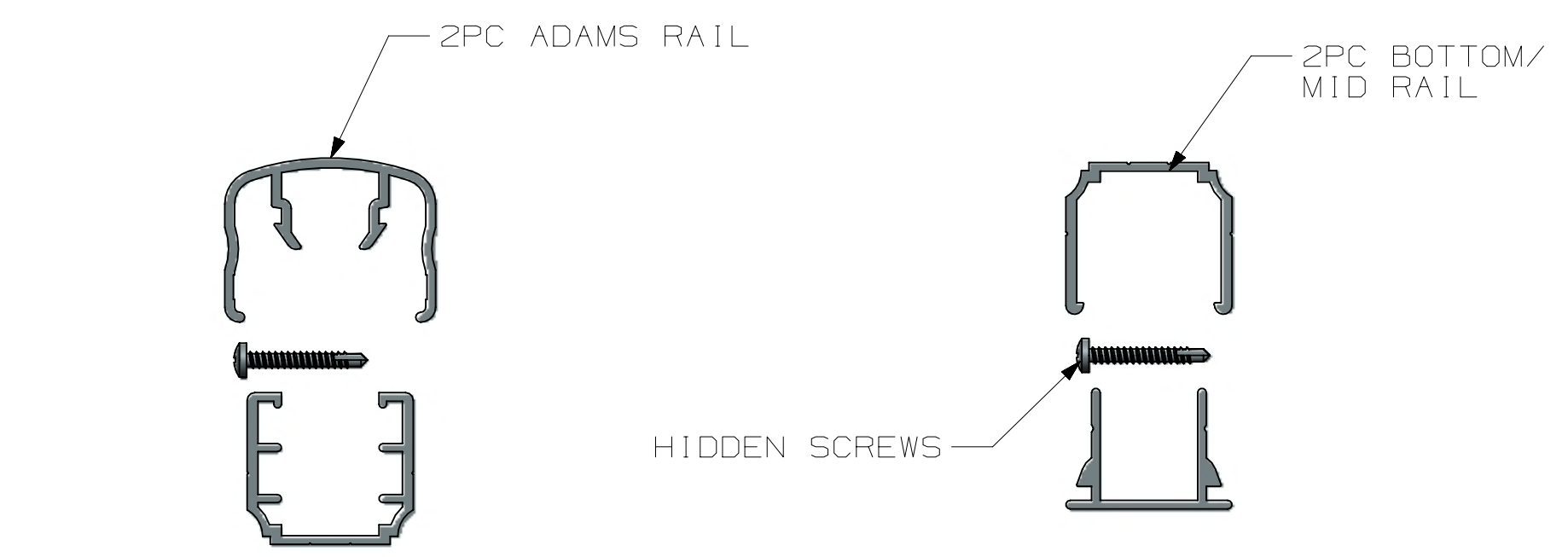
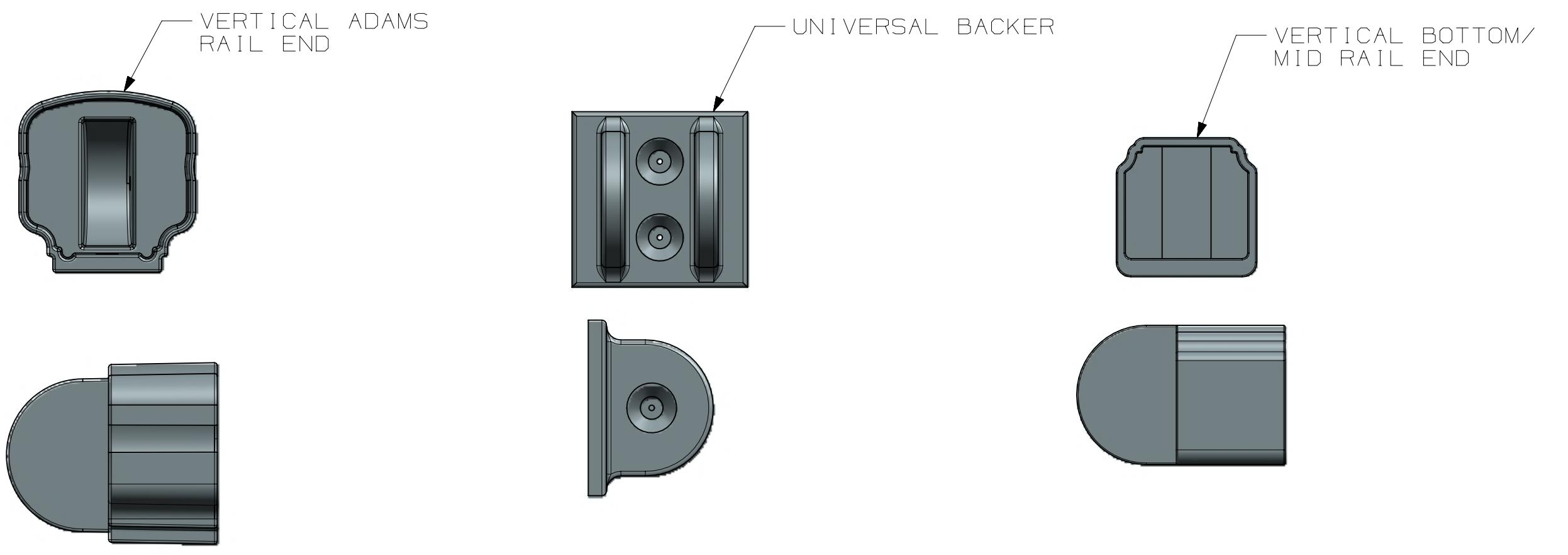
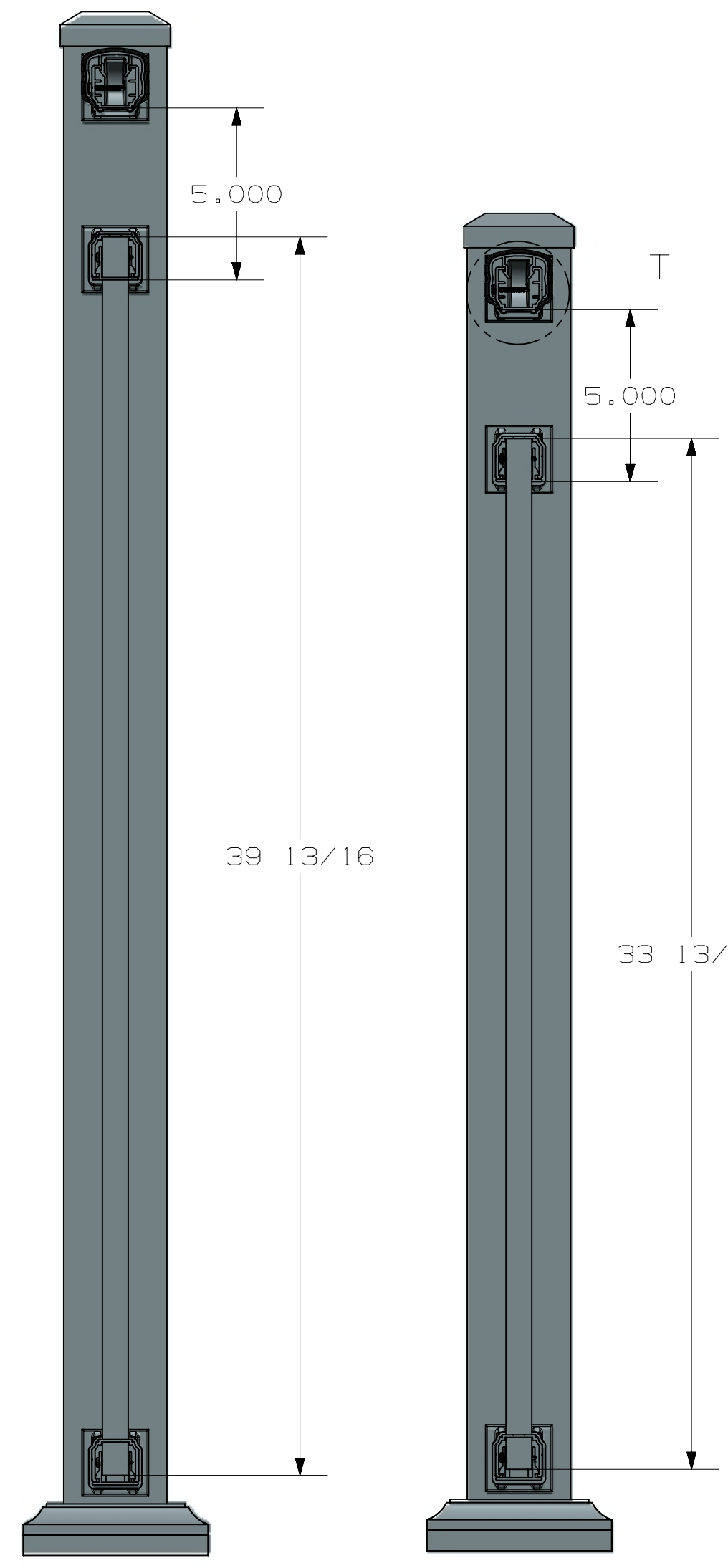
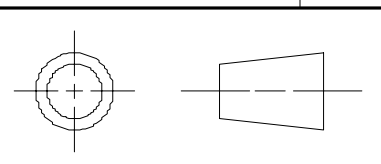


3D CAD MASTER PART NAME:

		ULTRA ALUMINUM MANUFACTURING, INC. 2124 GRAND COMMERCE DR. HOWELL, MI 48855 PHONE (800) 656-4420	
FIRST ISSUED		TITLE SIGNATURE STAIR RAILING	
DRAWN BY		ADAMS TOP RAIL	
CHECKED BY		UARXS-A270XX-XXXX-3RSS	
APPROVED BY		REV 1 1/23/2018	
		SIZE DRG NO. C UARXS-A270XX-XXXX-3RSS	REV <input checked="" type="checkbox"/>
		SCALE 1:1	SHEET 1 OF 2



DETAIL T
SCALE 1:1

PANEL SIZE	RAIL LENGTH	SHORT PICKET HEIGHT	NUMBER OF SHORT SIZE PICKETS
36" X 6"	70.00"	28 13/16"	15
36" X 8"	96 3/4"	28 13/16"	21
42" X 6"	70"	34 13/16"	15
42" X 8"	96 3/4"	34 13/16"	21

3D CAD MASTER PART NAME:

		ULTRA ALUMINUM MANUFACTURING, INC. 2124 GRAND COMMERCE DR. HOWELL, MI 48855 PHONE (800) 656-4420	
FIRST ISSUED		TITLE SIGNATURE STAIR RAILING	
DRAWN BY		ADAMS TOP RAIL	
CHECKED BY		UARXS-A270XX-XXXX-3RSS	
APPROVED BY		REV 1 1/23/2018	
		SIZE DRG NO.	REV
		C UARXS-A270XX-XXXX-3RSS	
		SCALE 1:1	SHEET 2 OF 2