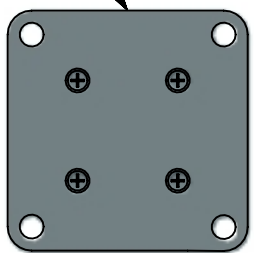
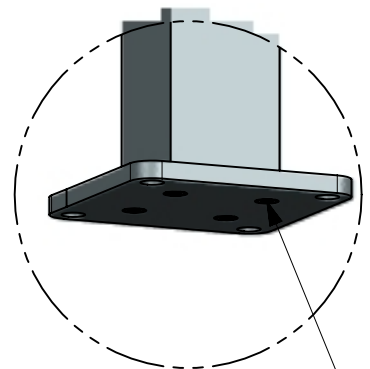


SECTION C-C

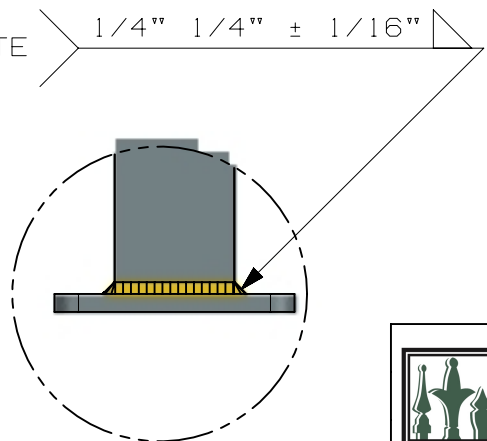


3/8" X 5" FLANGE

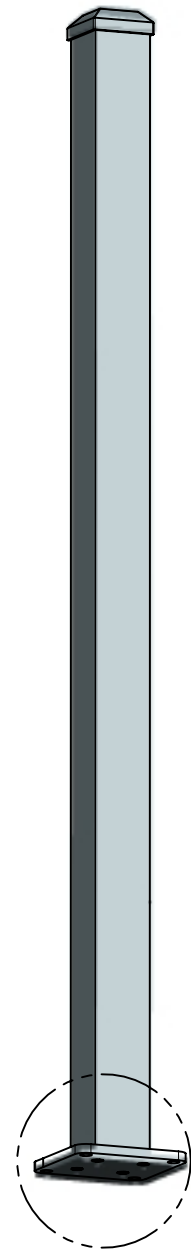


1/4" X 20 X 2"
18/8 TYPE F THREADING
SS SCREWS - 4 USED

DETAIL A
SCALE 1 : 4



DETAIL B
SCALE 1 : 4



A



ULTRA
FENCING • RAILING

RESIDENTIAL POST
2.5" - 4 HOLE BOSS POST
FLANGE
5" RESIDENTIAL FLANGE

DESCRIPTION

WELDED AND SCREWED BOSS POST