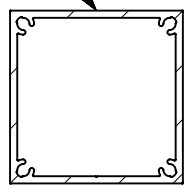
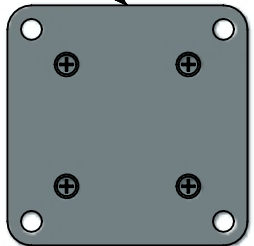


3" X 3" BOSS POST
.125 WALL



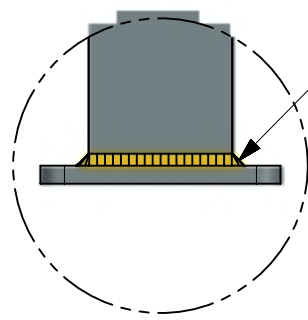
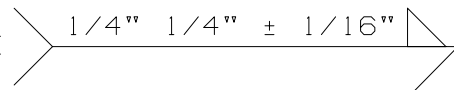
SECTION c-c

3/8" X 5" FLANGE

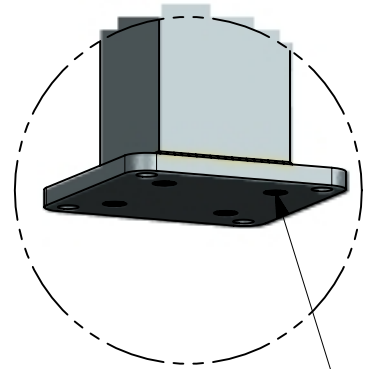
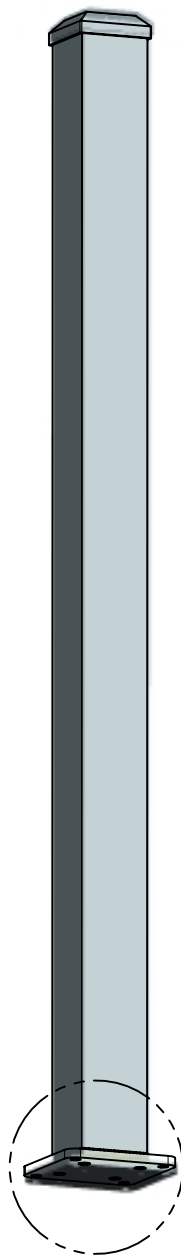


- 54.000 OPTION
- 48.000 SHOWN
- 44.000 OPTION
- 40.000 OPTION
- 38.000 OPTION

CONTINUOUS WELD
WELDED ALL 4 SIDES
FULL LENGTH TO PLATE
WITH 3/64"
ER 5356 WIRE




DETAIL B
SCALE 1:4



1/4" X 20 X 2"
18/8 TYPE F THREADING
SS SCREWS - 4 USED

DETAIL A
SCALE 1:4

 ULTRA FENCING • RAILING	RESIDENTIAL POST
	3" - 4HOLE BOSS POST
DESCRIPTION	FLANGE
WELDED AND SCREWED BOSS POST	5" RESIDENTIAL FLANGE