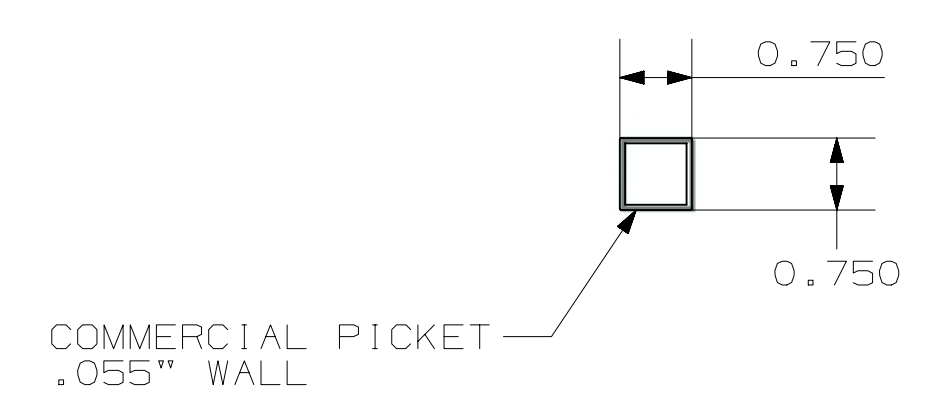
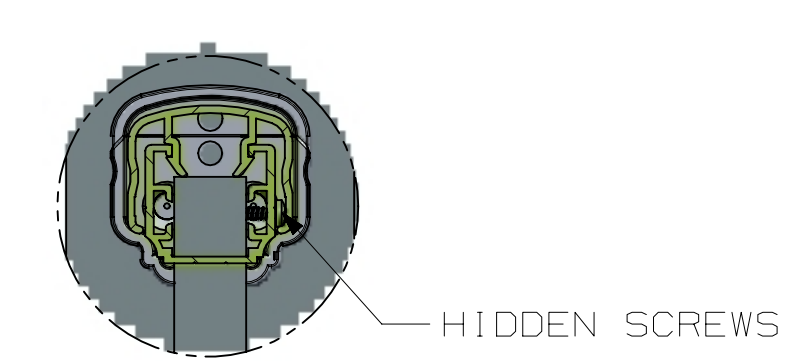
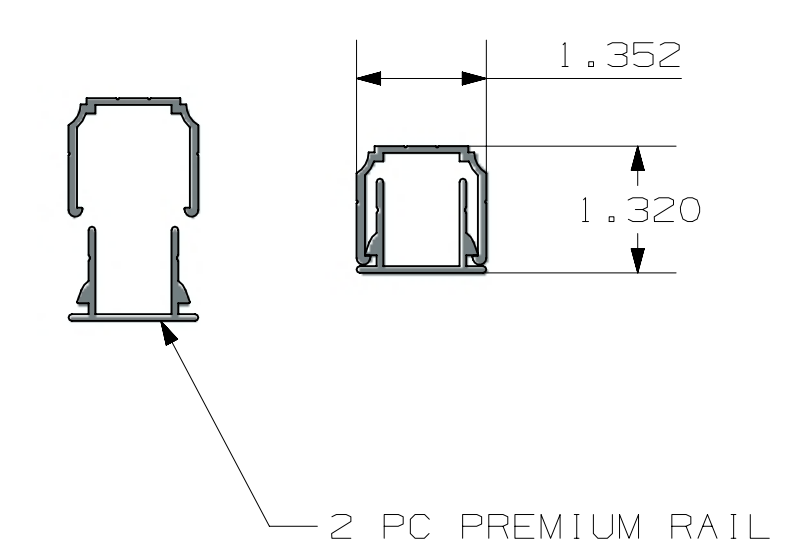
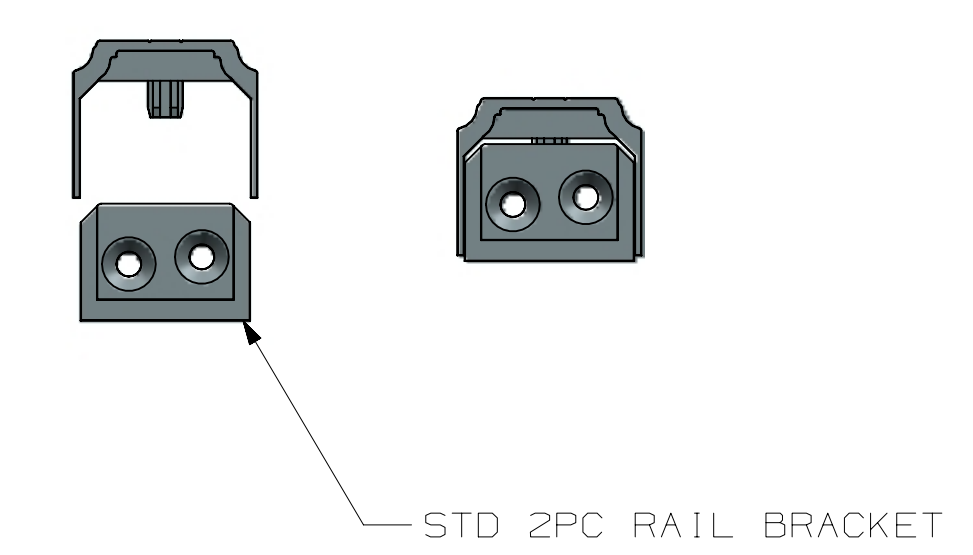
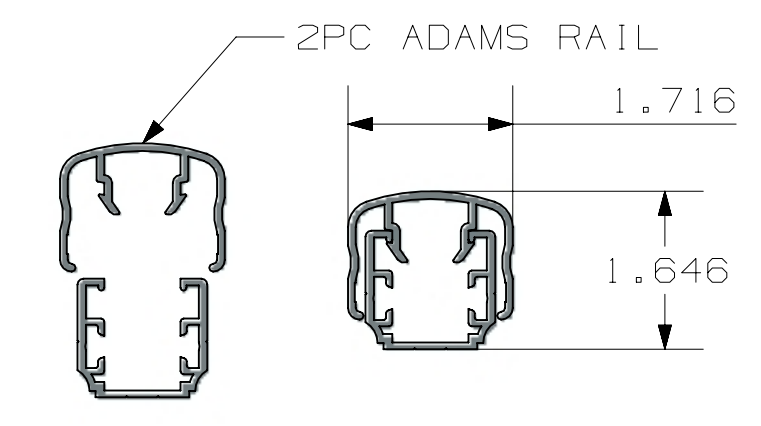
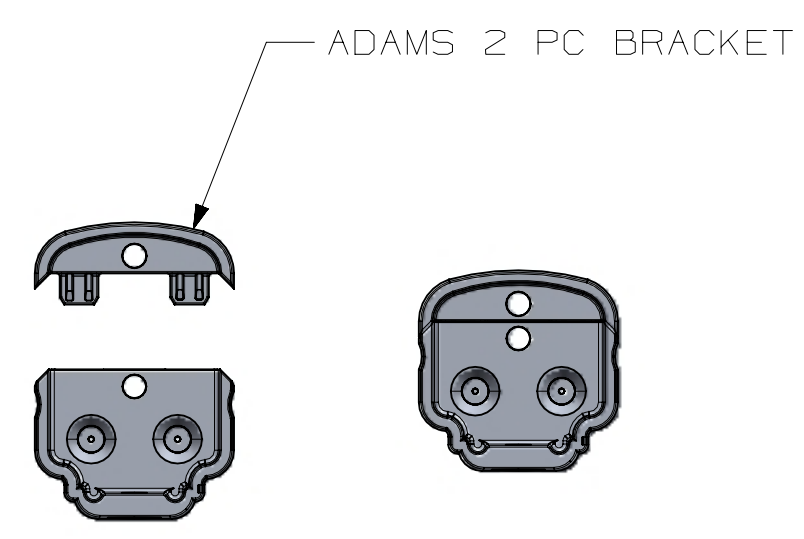
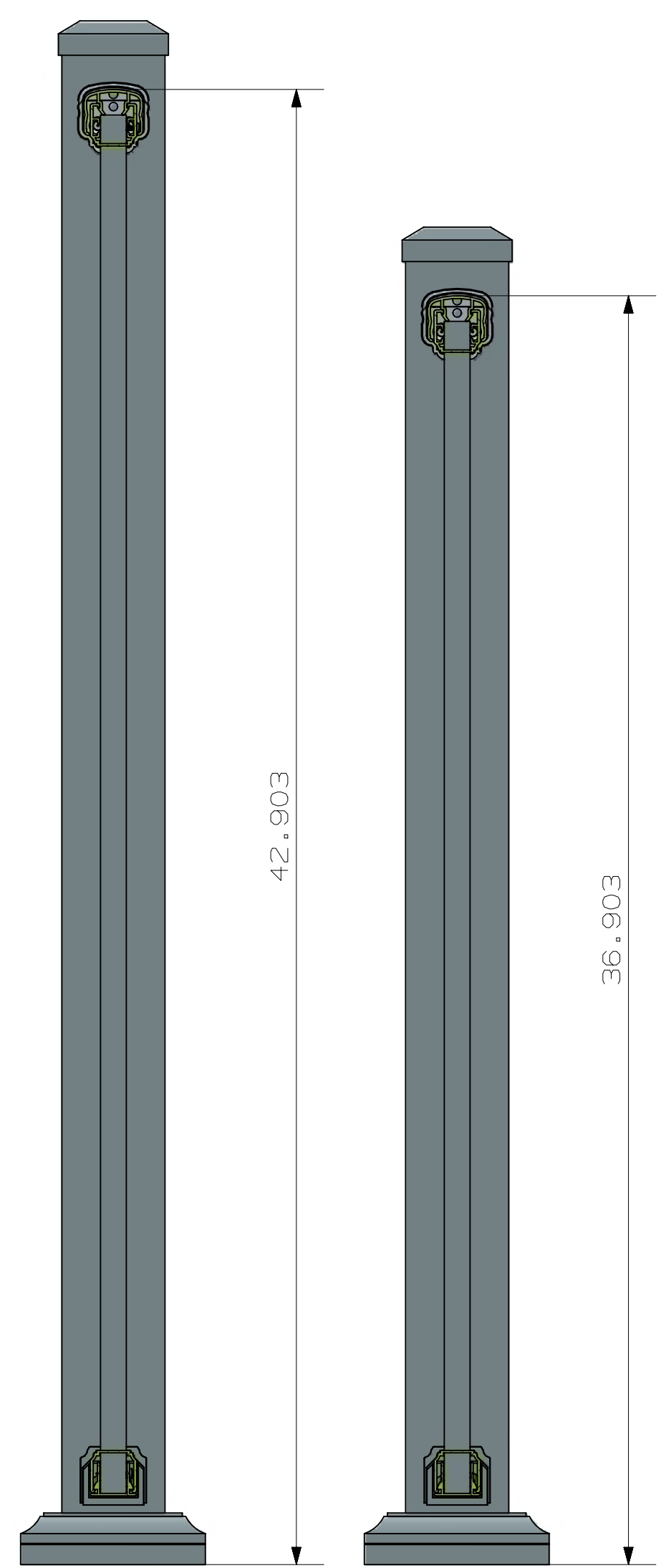
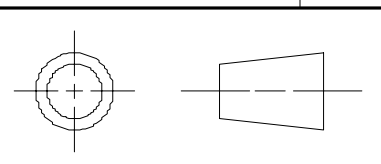


3D CAD MASTER PART NAME:

		ULTRA ALUMINUM MANUFACTURING, INC. 2124 GRAND COMMERCE DR. HOWELL, MI 48855 PHONE (800) 656-4420	
FIRST ISSUED		TITLE SIGNATURE RAILING	
DRAWN BY		ADAMS TOP RAIL	
CHECKED BY		UARX - A200XX - XXXX - 2RLS	
APPROVED BY		PANEL AND HARDWARE	
		REV 1 12/15/2017	
		SIZE DRG NO.	REV
		C	UARX - A200XX - XXXX - 2RLS
		SCALE 1:1	SHEET 1 OF 2



PANEL SIZE	RAIL LENGTH	FULL SIZE PICKET HEIGHT	NUMBER OF FULL SIZE PICKETS
36" X 4"	47 11/16"	34 1/16"	10
36" X 6"	70.00"	34 1/16"	15
36" X 8"	96 3/4"	34 1/16"	21
42" X 4"	47 11/16"	40 1/16"	10
42" X 6"	70"	40 1/16"	15
42" X 8"	96 3/4"	40 1/16"	21

3D CAD MASTER PART NAME:

		ULTRA ALUMINUM MANUFACTURING, INC. 2124 GRAND COMMERCE DR. HOWELL, MI 48855 PHONE (800) 656-4420	
FIRST ISSUED		TITLE SIGNATURE RAILING	
DRAWN BY		ADAMS TOP RAIL	
CHECKED BY		UARX-A200XX-XXXX-2RLS	
APPROVED BY		PANEL AND HARDWARE	
		REV 1 12/18/2017	
		SIZE DRG NO.	REV
		C	UARX-A200XX-XXXX-2RLS
		SCALE 1:1	SHEET 2 OF 2