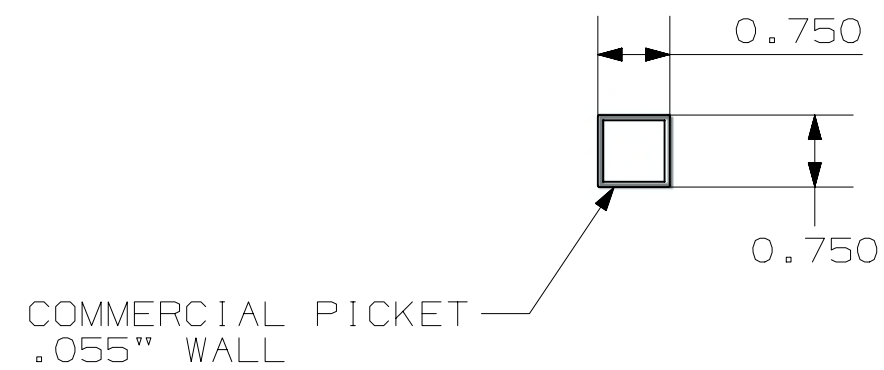
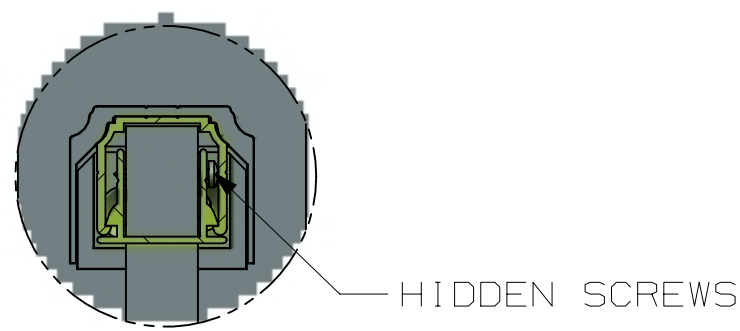
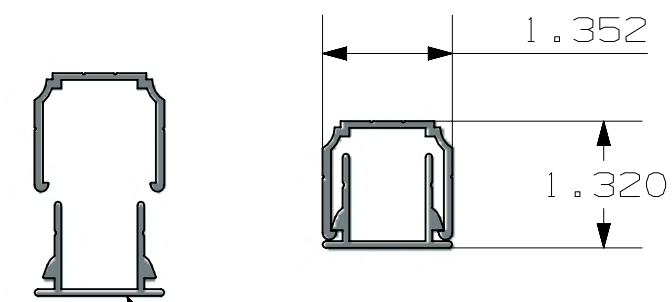
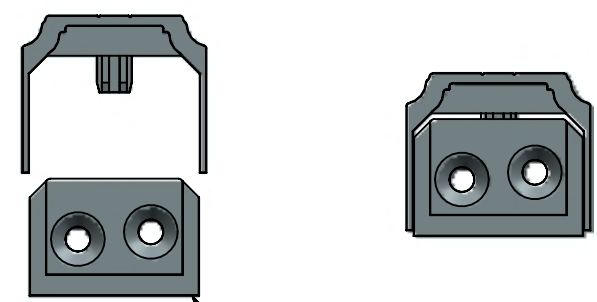
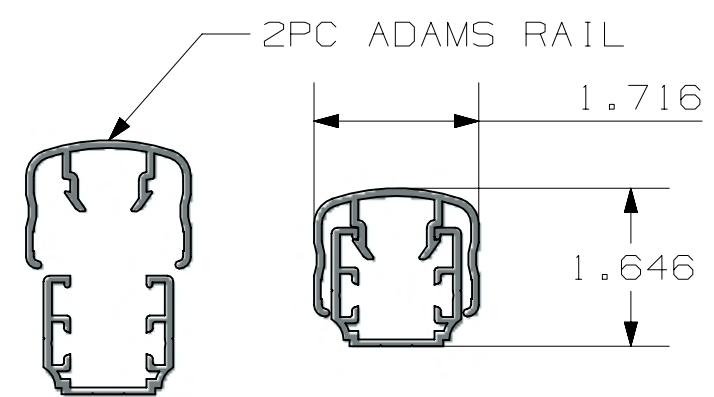
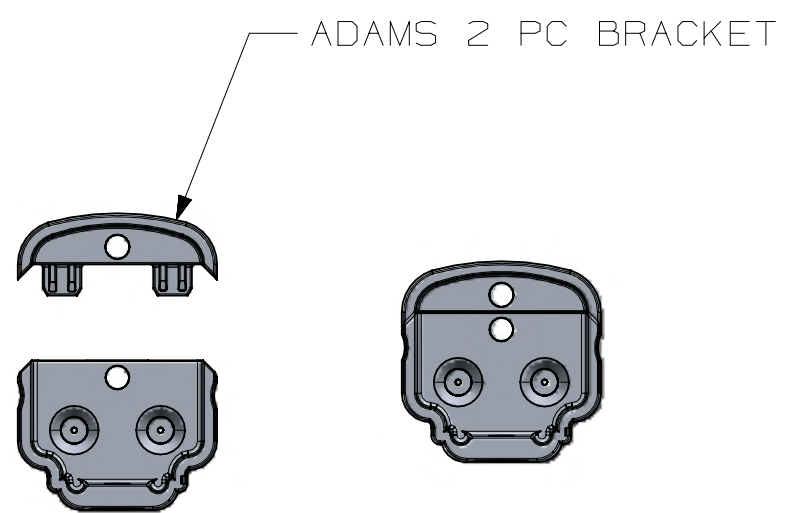
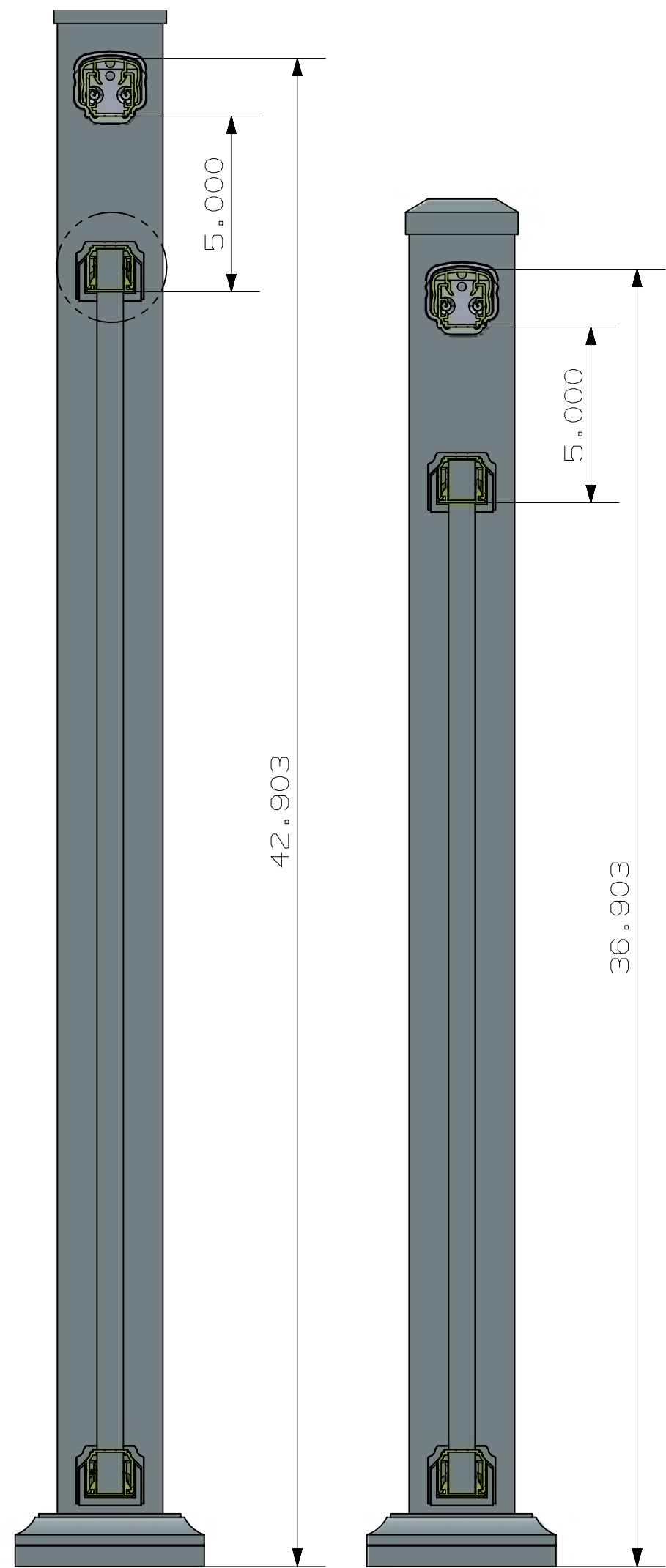
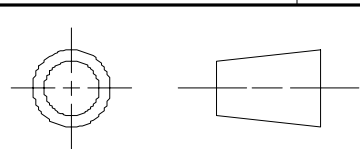


3D CAD MASTER PART NAME:

		ULTRA ALUMINUM MANUFACTURING, INC. 2124 GRAND COMMERCE DR. HOWELL, MI 48855 PHONE (800) 656-4420	
FIRST ISSUED		TITLE SIGNATURE RAILING	
DRAWN BY		ADAMS TOP RAIL	
CHECKED BY		UARX-A270XX-XXXX-3RLS	
APPROVED BY		PANEL AND HARDWARE	
		REV 1 1/4/2018	
		SIZE DRG NO.	REV
		C	UARX-A270XX-XXXX-3RLS
		SCALE 1:1	SHEET 1 OF 2



PANEL SIZE	RAIL LENGTH	SHORT PICKET HEIGHT	NUMBER OF SHORT PICKETS
36" X 4"	47 11/16"	29 7/16"	10
36" X 6"	70.00"	29 7/16"	15
36" X 8"	96 3/4"	29 7/16"	21
42" X 4"	47 11/16"	35 7/16"	10
42" X 6"	70"	35 7/16"	15
42" X 8"	96 3/4"	35 7/16"	21

3D CAD MASTER PART NAME:



ULTRA ALUMINUM MANUFACTURING, INC.
2124 GRAND COMMERCE DR. HOWELL, MI 48855
PHONE (800) 656-4420

FIRST ISSUED
DRAWN BY
CHECKED BY
APPROVED BY

TITLE SIGNATURE RAILING
ADAMS TOP RAIL
UARX-A270XX-XXXX-3RLS
PANEL AND HARDWARE
REV 1 1/4/2018

SIZE DRG NO. C UARX-A270XX-XXXX-3RLS REV

SCALE 1:1 SHEET 2 OF 2