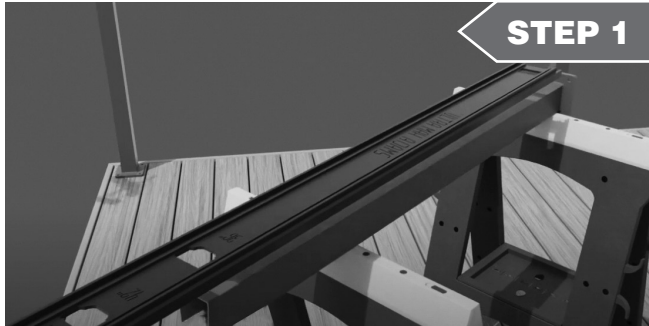


TEMPLATE INSTRUCTIONS

Please use this template for easy and exact placement of the drop in brackets for 36" high 2 Rail and 42" high 2 Rail systems only.

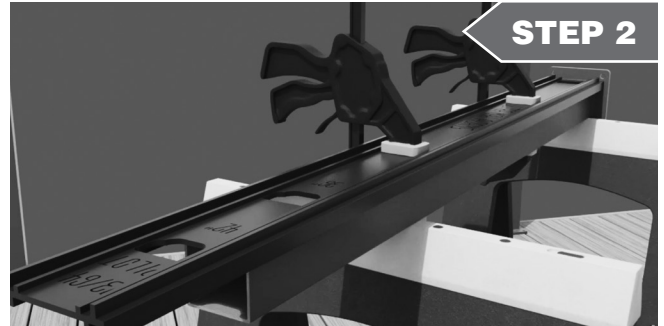
USE THE TEMPLATE BEFORE INSTALLING POSTS. For easier installation, use saw horse work station.

If posts are previously installed, insure 2 piece flange cover is removed. It may be necessary to remove the mounting screws from the base plate as that will interfere with template removal.



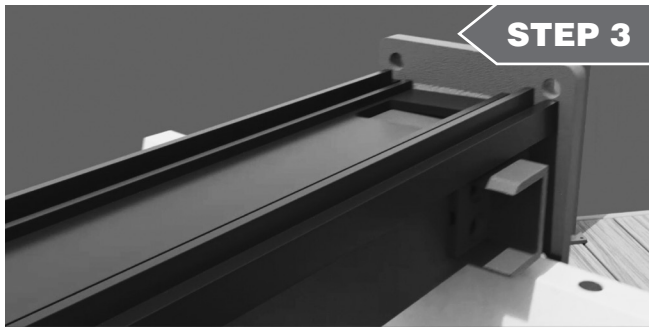
STEP 1

Place the appropriate side of the template against post, based on post width.



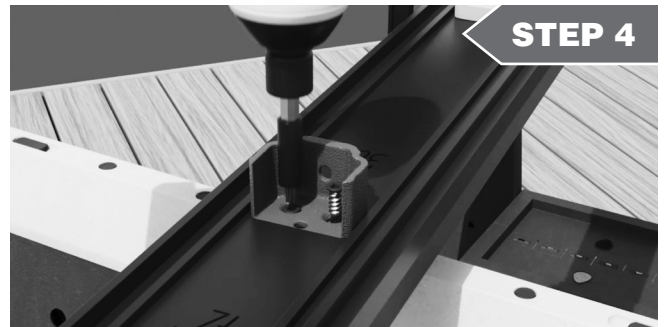
STEP 2

Temporarily fasten the template onto the post using bar clamps.



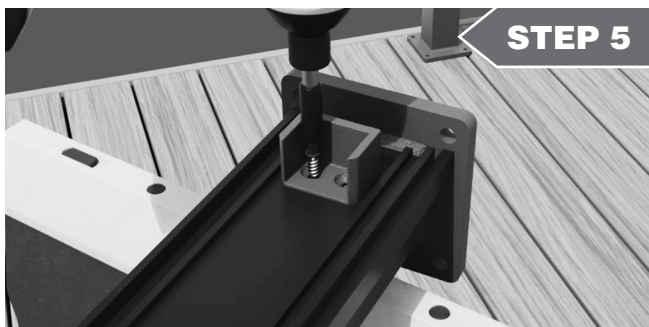
STEP 3

NOTE: For corner posts, you must pre-drill the holes on both sides **BEFORE** installing the rail brackets. Having a bracket installed on one side will prevent the guide template from laying flush against the post.



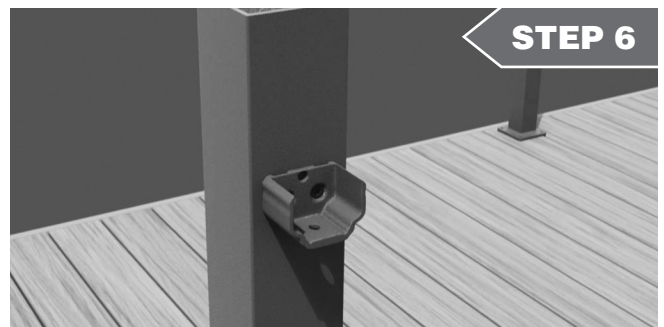
STEP 4

Secure the top bracket using the #14 x 1" Tek 18/8 screws provided.



STEP 5

Secure the bottom bracket using the #14 x 1" Tek 18/8 screws provided.



STEP 6

Remove the template from the post and flip the post over if doing in-line rails or attach the template to the next post.