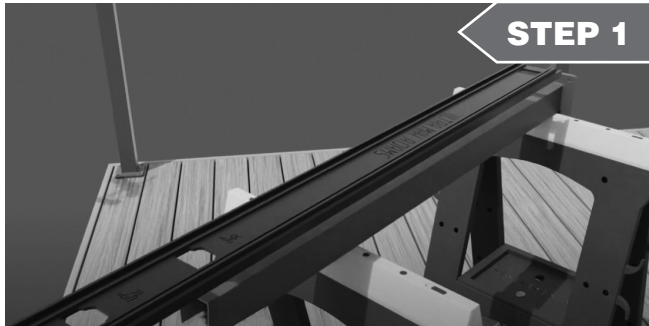


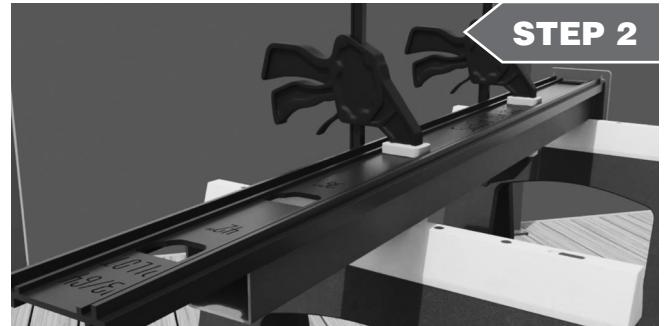


XACTEMPLATE™ INSTRUCTIONS

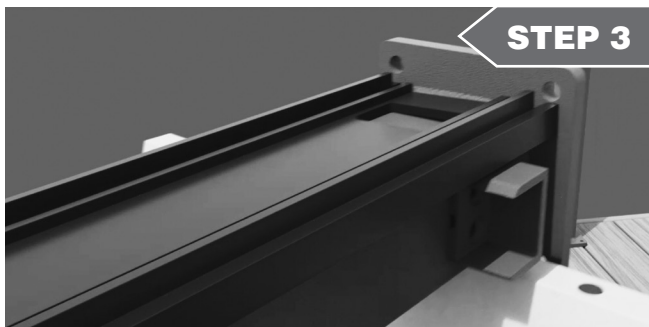
Please use the Ultra Max Adams Guide Template for easy and exact placement of the Max drop in brackets for 36" high 2 Rail and 42" high 2 Rail systems only. **USE THE TEMPLATE BEFORE INSTALLING POSTS.** For easier installation, use saw horse work station. If posts are previously installed, insure 2 piece flange cover is removed. It may be necessary to remove the mounting screws from the base plate as that will interfere with template removal.



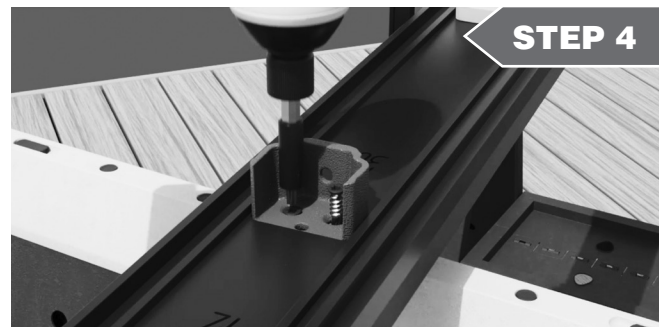
Place the appropriate side of the template against post, based on post width.



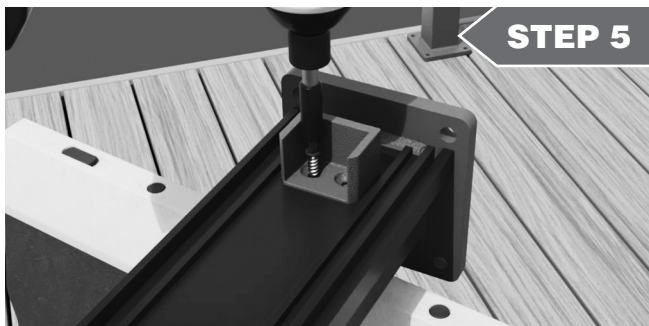
Temporarily fasten the template onto the post using bar clamps.



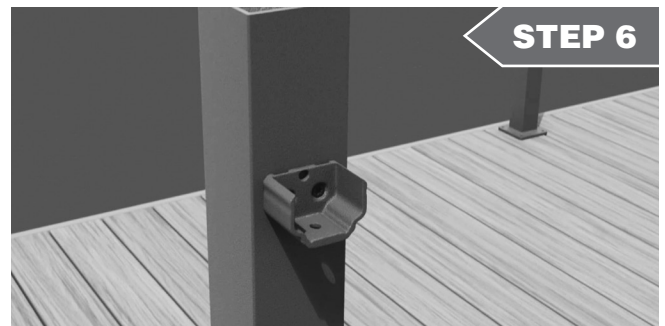
NOTE: For corner posts, you must pre-drill the holes on both sides BEFORE installing the rail brackets. Having a bracket installed on one side will prevent the guide template from laying flush against the post.



Secure the top bracket using the #14 x 1" Tek 18/8 screws provided.



Secure the bottom bracket using the #14 x 1" Tek 18/8 screws provided.



Remove the template from the post and flip the post over if doing in-line rails or attach the template to the next post.



ULTRA
FENCING • RAILING

2124 Grand Commerce Drive • Howell, MI 48855

Phone: 517-548-6755 • Fax: 517-548-6756

800-656-4420 | UltraMaxRailing.com

